

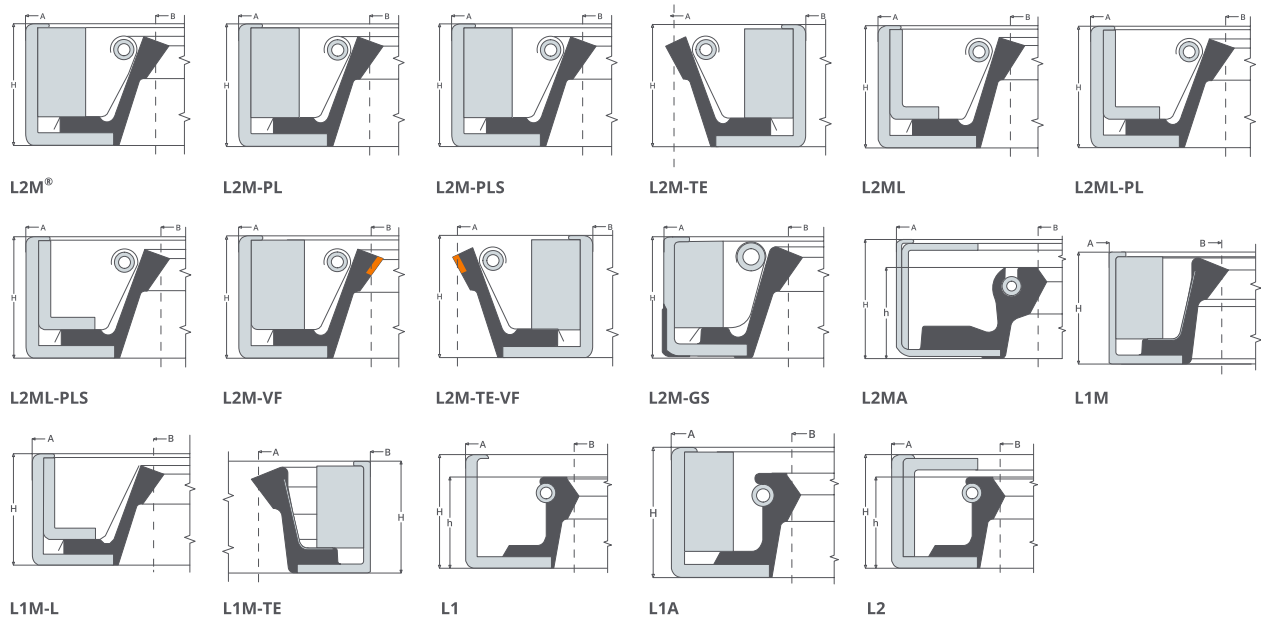


SEALS PROFILES GENERAL LIST

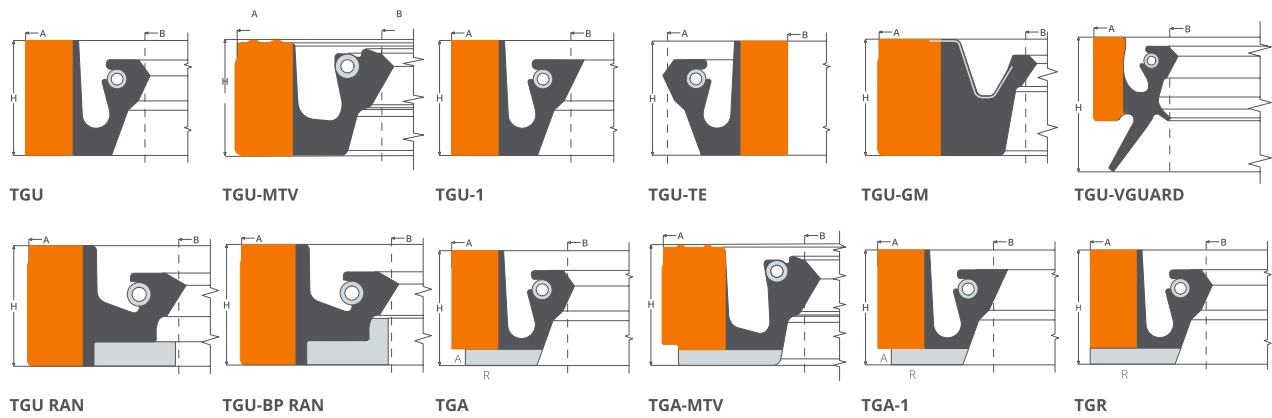


PROFILES

Metal cased - Finger and Garter Spring

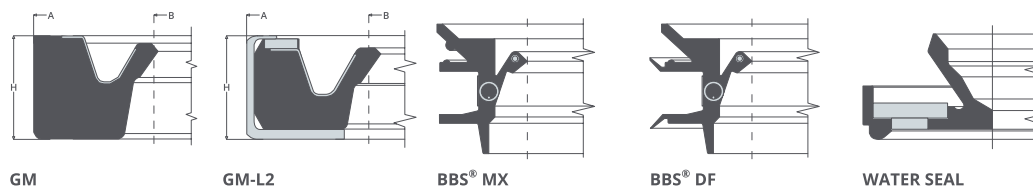


Textile-Rubber



Finger Spring

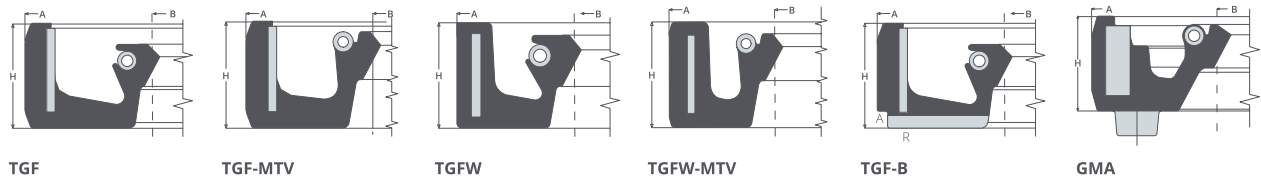
Oil Film Bearing Seals



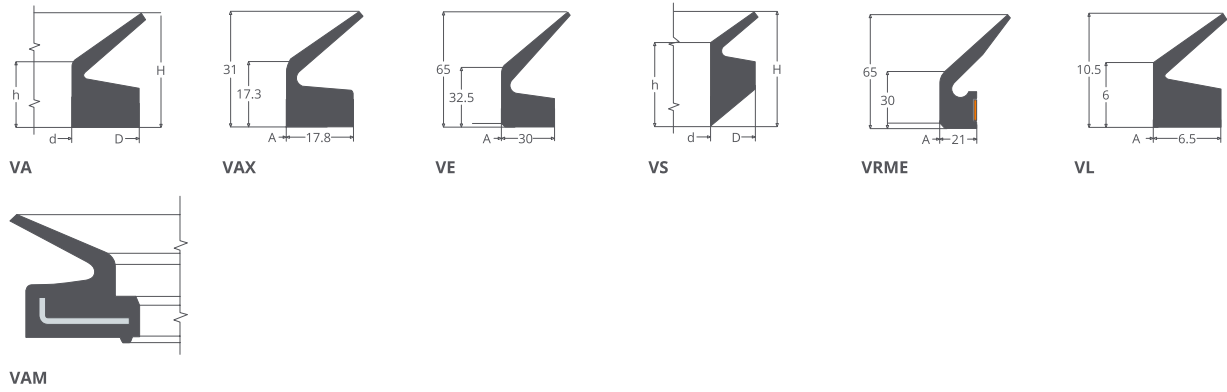
Various of the above mentioned types and profiles are made even with dust lip. For further information on these, and for other products or designs you may be looking for, please contact our offices.

PROFILES

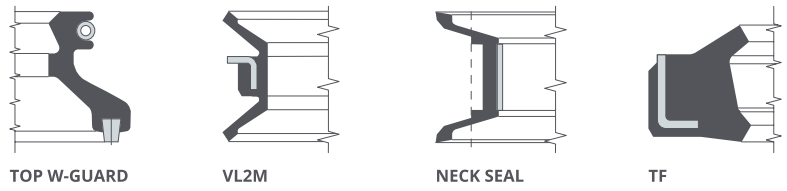
Stiff and Flexible



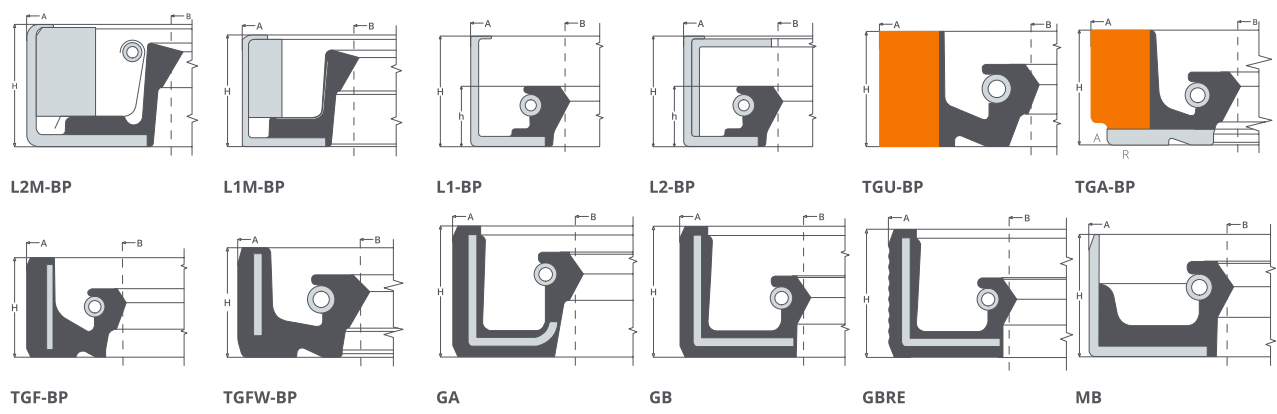
Front Seals



Special Front Seals



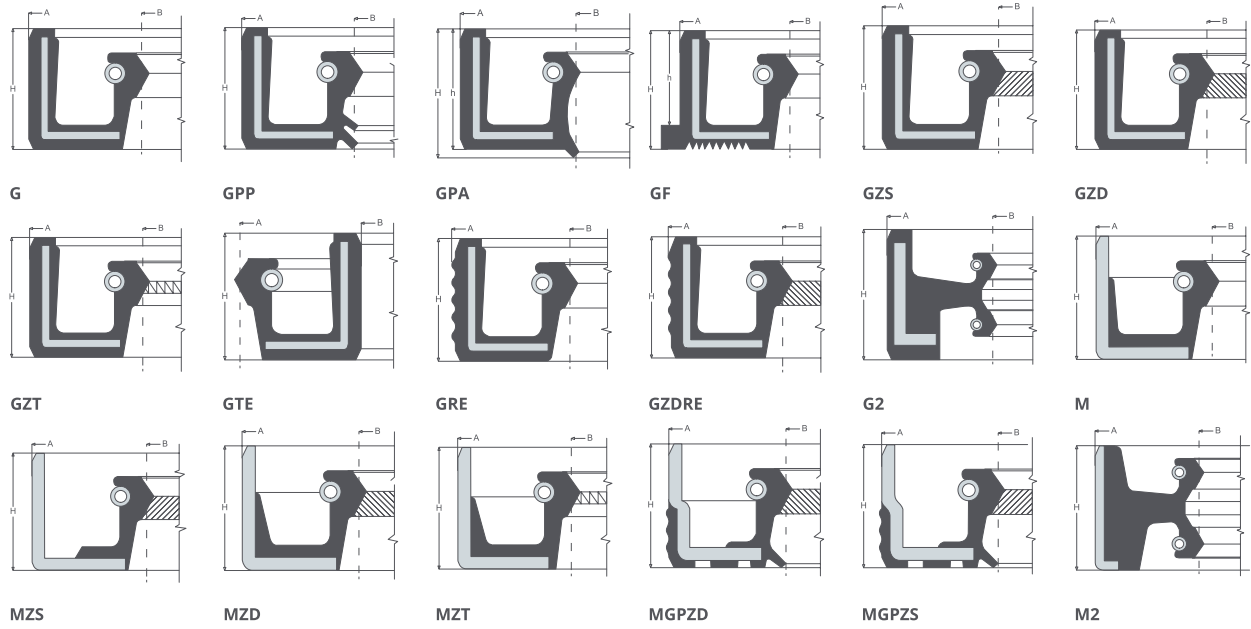
Oil Seals for High Pressure



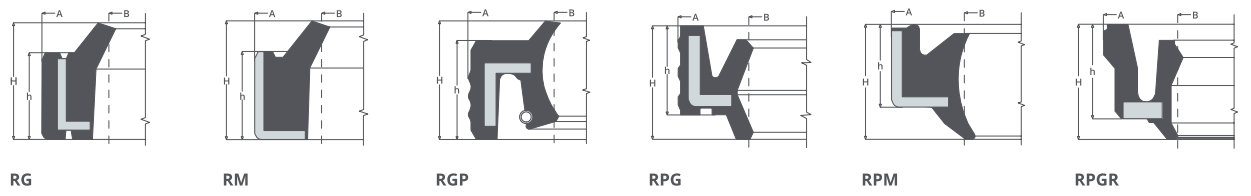
Various of the above mentioned types and profiles are made even with dust lip. For further information on these, and for other products or designs you may be looking for, please contact our offices.

PROFILES

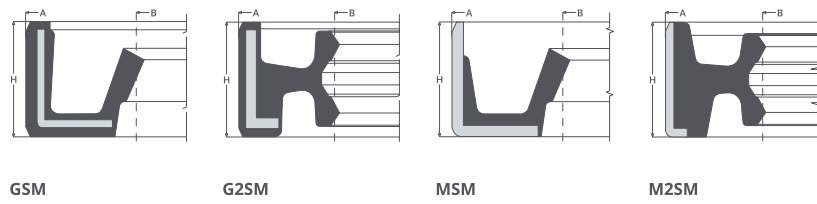
Standard Rotary Shaft Oil Seals



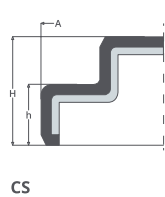
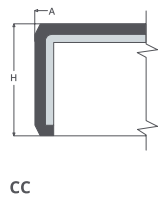
Wiper Seals



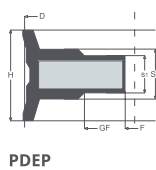
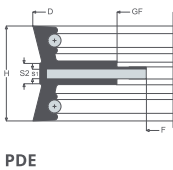
Grease Sealing



Rubber-End Covers



Piston Seals



Various of the above mentioned types and profiles are made even with dust lip. For further information on these, and for other products or designs you may be looking for, please contact our offices.